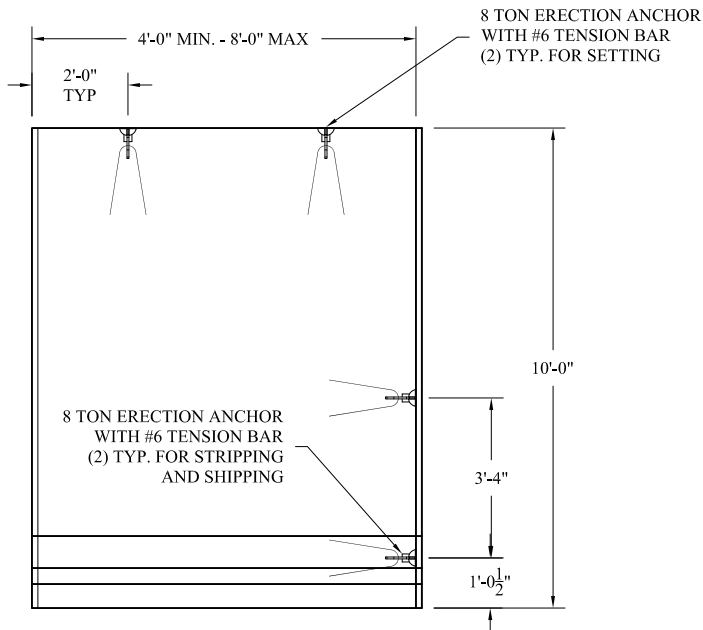
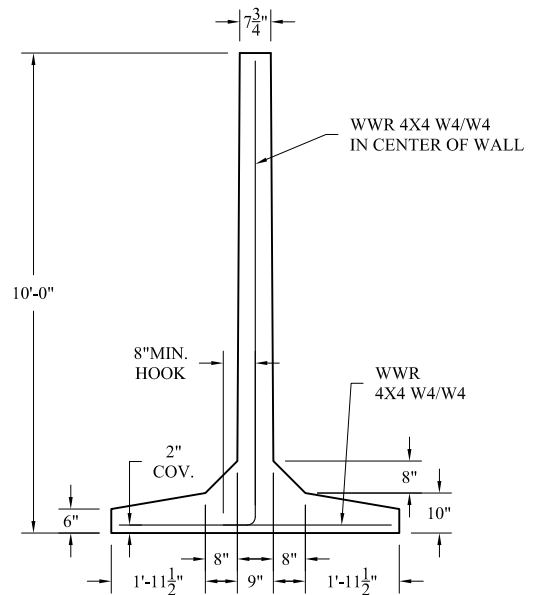


PLAN VIEW



ELEVATION VIEW



SECTION VIEW

GENERAL NOTES:

1. CONCRETE: 5,000 PSI @ 28 DAYS.
2. AIR: 6% ± 2%.
3. REINFORCING: ASTM A-615 GRADE 60.

NCI

Norwalk Concrete Industries

80 Commerce Drive
Norwalk, Ohio 44857
www.nciprecast.com

Toll Free 800.733.3624
Phone 419.668.8167
Fax 419.663.0627

10'-0" PRECAST
BARRIER WALL

| | | | |
|------------|------------|----------|--------|
| REVISIONS: | DWG: | DATE: | SHT. - |
| | TW-0002-13 | 03.13.13 | OF - |
| | | | RJS |