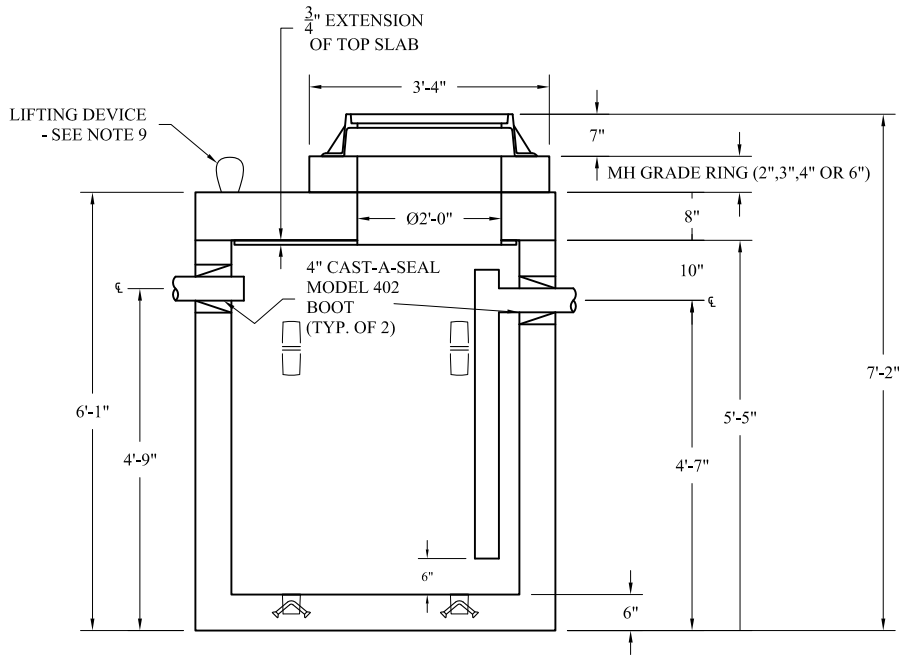


PLAN VIEW



SECTION A-A

NOTES:

1. CONCRETE = 5,000 PSI. @ 28 DAYS.
2. REINFORCING = ASTM A615 GRADE 60
3. THESE KITCHEN GREASE INTERCEPTORS ARE TRAFFIC BEARING LOADING
4. NCI CAN INSTALL INLET AND OUTLET WALL COUPLINGS IF REQUESTED. PVC OUTLET TEE'S AVAILABLE ON REQUEST.
5. WEIGHT OF TANK:
 - BASE SECTION = 8,500 LB.
 - TOP SLAB = 2,300 LB.
6. USES 4' x 4' TALL MOLD
7. TANK REQUIRES CONSEAL CS-440 SEALANT. RISER REQUIRES CONSEAL CS-102 SEALANT AT RISER JOINT.
8. LIFTING DEVICES - BASE SECTION: NCI TO CAST IN FOUR (4) AMERICAN STEP CO. ITEM NO. 625-450-1175 UTILITY ANCHORS IN BASE SECTION EXTERIOR SIDE WALLS FOR LIFTING.
9. LIFTING DEVICES - TOP SLAB: NCI TO CAST IN FOUR (4) AL PATTERSON GALV. STL. LIFT LOOPS (LLW) WHITE IN TOP SLAB FOR LIFTING.

NCI
 Norwalk Concrete Industries
 80 Commerce Drive
 Norwalk, Ohio 44857
 www.nciprecast.com

Toll Free 800.733.3624
 Phone 419.668.8167
 Fax 419.663.0627

500 GALLON (GIT500) TRAFFIC BEARING PRECAST CONCRETE KITCHEN GREASE INTERCEPTOR WITH 4" PVC PIPING

| REVISIONS: | DWG. NO. | DATE | SHT. - |
|------------|-----------|---------|----------------|
| --- | I-0005-18 | 10.4.18 | OF - BEB/JC |